

## 2/2 Way Piston Actuated Valve G 1/2" to 3/4", Compact Version – Stainless Steel

| Specifications   |   |
|--|---|
| Type: PG<br>NC flow over seat<br>1 → 2                                 |   |
| Type RPG:<br>NO flow under seat<br>2 → 1                               |   |
| Type BPG<br>NC bi-directional flow<br>over/under seat<br>1 → 2 / 2 → 1 |   |
| Type DPG<br>DA flow over/under seat<br>1 ↔ 2                           |   |
| Media  | Water, oil, air, aggressive media, steam <sup>1</sup> |
| Media Temperature  | -10 °C to +180 °C                                     |
| Ambient Temperature  | -10 °C to +60 °C                                      |
| Pilot Media <sup>2</sup>   | Instrument air, inert gases                           |
| Body Material  | Cast AISI 316L (CF3M), see page 39                    |
| Bonnet Material  | Cast AISI 316L (CF3M), see page 39                    |
| Actuator Body Material   | Polyamide PA6 (reinforced fibreglass 30%)             |
| Seal Material  | PTFE  |
| Position Indicator   | As standard   |

### Features and Benefits

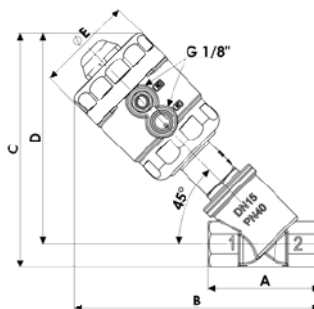
- Waterhammer-free design for BPG - DPG (with flow direction 2 → 1)
- Actuator housing rotation 360°
- Design suitable for vacuum applications up to 10<sup>-2</sup> mbar



| Options Available                     |
|---------------------------------------|
| NPT connection (e.g. code PN205CTW00) |

| Accessories   |
|---|
| Position module, travel switch kit, pilot solenoid valves see pages 30/31/32/33 |

| Dimensions & Weights |      | DN15 | DN20 |
|----------------------|------|------|------|
| Actuator             | [mm] | Ø 45 |      |
| A                    | [mm] | 65   | 75   |
| B                    | [mm] | 144  | 149  |
| C                    | [mm] | 136  | 142  |
| D                    | [mm] | 123  | 126  |
| E                    | [mm] | 57   | 57   |
| Weight               | [kg] | 0.8  | 0.9  |



The products listed below comply with the requirements of the European Pressure Equipment Directive 2014/68/UE and carry the CE mark when required. The products fall within the following Pressure Equipment Directive categories:

| Bodies              | Group 1 gases | Group 1 liquids and Group 2 other fluids |
|---------------------|---------------|--|
| DN15 to DN20 (PN40) | SEP           | SEP                                      |

### ⚠ WARNING!

According to the European Pressure Equipment Directive 2014/68/UE, liquids whose saturated vapour pressure at the maximum allowable temperature is more than 0,5 barg shall be considered as gases.

| Valve       | Body Connection | DN   | Flow Rate Kvs | Working Pressure <sup>1</sup> Min. | Working Pressure <sup>1</sup> Max. | Flow Direction | Pilot Pressure <sup>3</sup> Min. | Pilot Pressure <sup>3</sup> Max. | Actuator Ø | Function         |
|-------------|-----------------|------|---------------|------------------------------------|------------------------------------|----------------|----------------------------------|----------------------------------|------------|------------------|
| Code        | [ISO 228G]      | [mm] | [l/min]       | [barg]                             | [barg]                             | —              | [barg]                           | [barg]                           | [mm]       | —                |
| PG205CTW00  | 1/2"            | 15   | 75            | 0                                  | 16                                 | 1 → 2          | 3.8                              | 10                               | 45         | NC               |
| PG206CTX00  | 3/4"            | 20   | 133           | 0                                  | 16                                 | 1 → 2          | 5.8                              | 10                               |            |                  |
| RPG205CTW00 | 1/2"            | 15   | 75            | 0                                  | 16                                 | 2 → 1          | 4                                | 10                               | 45         | NO               |
| RPG206CTX00 | 3/4"            | 20   | 133           | 0                                  | 16                                 | 2 → 1          | 6.2                              | 10                               |            |                  |
| BPG205CTW00 | 1/2"            | 15   | 75            | 0                                  | 16 / 16                            | 1 → 2 / 2 → 1  | 6.2 / 5                          | 10                               | 45         | NC bidirectional |
| BPG206CTX00 | 3/4"            | 20   | 133           | 0                                  | 16 / 7                             | 1 → 2 / 2 → 1  | 8.7 / 5                          | 10                               |            |                  |
| DPG205CTW00 | 1/2"            | 15   | 75            | 0                                  | 16 / 16                            | 1 ↔ 2          | 3                                | 10                               | 45         | DA               |
| DPG206CTX00 | 3/4"            | 20   | 133           | 0                                  | 16 / 16                            | 1 ↔ 2          | 5                                | 10                               |            |                  |

### Notes

1. Steam max. working pressure 10 bar (9 barg)
2. Please contact M&M sales Department for other pilot media
3. Minimum pilot pressure at the max. working pressure: for lower working pressures please refer to the comparative charts

## 2/2 Way Piston Actuated Valve G 1/2" to 2", Regular Version - Stainless Steel

| Specifications  |   |
|---|---|
| Type: PG<br>NC flow over seat<br>1 → 2                                  |   |
| Type: RPG<br>NO flow under seat<br>2 → 1                                |   |
| Type: BPG<br>NC bi-directional flow<br>over/under seat<br>1 → 2 / 2 → 1 |   |
| Type: DPG<br>DA flow over/under seat<br>1 ↔ 2                           |   |
| Media   | Water, oil, air, aggressive media, steam <sup>1</sup> |
| Media Temperature   | -10 °C to +180 °C                                     |
| Ambient Temperature   | -10 °C to +60 °C                                      |
| Pilot Media <sup>2</sup>  | Instrument air, inert gases                           |
| Body Material   | Cast AISI 316L (CF3M), see page 39                    |
| Bonnet Material   | Cast AISI 316L (CF3M), see page 39                    |
| Actuator Body Material  | Polyamide PA6 (reinforced fiberglass 30%)             |
| Seal Material   | PTFE  |
| Position Indicator  | As standard   |

### Features and Benefits

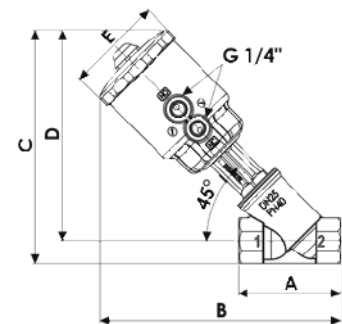
- Waterhammer-free design for BPG - DPG (with flow direction 2→1)
- Actuator housing rotation 360°
- Design suitable for vacuum applications up to 10<sup>-2</sup> mbar



| Options Available  |  |
|--|--|
| Stroke regulator assembled ex-factory, see page 29 (e.g. code RPG210STJR0) |  |
| Travel switch assembled ex-factory, see page 29 (e.g. code PG208STZJ0)     |  |
| NPT connection (e.g. code BPN207LTY00)                                     |  |
| High temperature version, see pages 20/21 (e.g. code PG205STW0H)           |  |

| Accessories   |
|---|
| Position module, travel switch kit, pilot solenoid valves see pages 30/31/32/33 |

| Dimensions & Weights |      | DN15 | DN20 | DN25 | DN32 | DN40 | DN50 | DN25 | DN32 | DN40 | DN50 |
|----------------------|------|------|------|------|------|------|------|------|------|------|------|
| Actuator             | [mm] | Ø 63 |      |      |      |      |      | Ø 90 |      |      |      |
| A                    | [mm] | 65   | 75   | 90   | 110  | 120  | 150  | 90   | 110  | 120  | 150  |
| B                    | [mm] | 192  | 198  | 212  | 225  | 230  | 248  | 223  | 234  | 239  | 257  |
| C                    | [mm] | 184  | 192  | 205  | 217  | 225  | 241  | 216  | 227  | 235  | 250  |
| D                    | [mm] | 171  | 176  | 185  | 193  | 198  | 207  | 196  | 202  | 207  | 216  |
| E                    | [mm] | 85   | 85   | 85   | 85   | 85   | 85   | 112  | 112  | 112  | 112  |
| Weight               | [kg] | 1.2  | 1.3  | 1.5  | 1.9  | 2.1  | 2.9  | 2.0  | 2.4  | 2.6  | 3.3  |



The products listed below comply with the requirements of the European Pressure Equipment Directive 2014/68/UE and carry the CE mark when required. The products fall within the following Pressure Equipment Directive categories:

| Valve Type           | Bodies              | Group 1 gases | Group 1 liquids and Group 2 other fluids |
|----------------------|---------------------|---------------|--|
| PG - RPG - BPG - DPG | DN15 to DN25 (PN40) | SEP           | SEP                                      |
|                      | DN32 to DN40 (PN25) | Category I    | SEP                                      |
|                      | DN50 (PN16)         | Category I    | SEP                                      |

### ⚠ WARNING!

According to the European Pressure Equipment Directive 2014/68/UE, liquids whose saturated vapour pressure at the maximum allowable temperature is more than 0,5 barg shall be considered as gases.

## 2/2 Way Piston Actuated Valve G 1/2" to 2", Regular Version – Stainless Steel

| Valve       | Body Connection | DN   | Flow Rate Kvs | Working Pressure <sup>1</sup> |         | Flow Direction | Pilot Pressure <sup>3</sup> |        | Actuator Ø | Function         |    |
|-------------|-----------------|------|---------------|-------------------------------|---------|----------------|-----------------------------|--------|------------|------------------|----|
| Code        | [ISO 228G]      | [mm] | [l/min]       | [barg]                        | [barg]  | —              | [barg]                      | [barg] | [mm]       | —                |    |
| PG205STW00  | 1/2"            | 15   | 87            | 0                             | 20      | 1 → 2          | 3.7                         | 10     | 63         | NC               |    |
| PG206STX00  | 3/4"            | 20   | 164           | 0                             | 20      | 1 → 2          | 4.4                         | 10     |            |                  |    |
| PG207STY00  | 1"              | 25   | 260           | 0                             | 20      | 1 → 2          | 5                           | 10     |            |                  |    |
| PG208STZ00  | 1 1/4"          | 32   | 410           | 0                             | 16      | 1 → 2          | 5.9                         | 10     |            |                  |    |
| PG209STK00  | 1 1/2"          | 40   | 700           | 0                             | 16      | 1 → 2          | 9                           | 10     |            |                  |    |
| PG210STJ00  | 2"              | 50   | 950           | 0                             | 11      | 1 → 2          | 8                           | 10     |            |                  |    |
| PG207LTY00  | 1"              | 25   | 260           | 0                             | 20      | 1 → 2          | 2                           | 8      | 90         |                  |    |
| PG208LTZ00  | 1 1/4"          | 32   | 410           | 0                             | 16      | 1 → 2          | 3.5                         | 8      |            |                  |    |
| PG209LTK00  | 1 1/2"          | 40   | 700           | 0                             | 16      | 1 → 2          | 4                           | 8      |            |                  |    |
| PG210LTJ00  | 2"              | 50   | 950           | 0                             | 15      | 1 → 2          | 6.5                         | 8      |            |                  |    |
| RPG205STW00 | 1/2"            | 15   | 87            | 0                             | 16      | 2 → 1          | 2.5                         | 10     | 63         |                  | NO |
| RPG206STX00 | 3/4"            | 20   | 164           | 0                             | 16      | 2 → 1          | 4.3                         | 10     |            |                  |    |
| RPG207STY00 | 1"              | 25   | 260           | 0                             | 16      | 2 → 1          | 5.5                         | 10     |            |                  |    |
| RPG208STZ00 | 1 1/4"          | 32   | 410           | 0                             | 16      | 2 → 1          | 6.5                         | 10     |            |                  |    |
| RPG209STK00 | 1 1/2"          | 40   | 700           | 0                             | 16      | 2 → 1          | 9                           | 10     |            |                  |    |
| RPG210STJ00 | 2"              | 50   | 950           | 0                             | 12      | 2 → 1          | 9.4                         | 10     |            |                  |    |
| RPG207LTY00 | 1"              | 25   | 260           | 0                             | 16      | 2 → 1          | 2                           | 8      | 90         |                  |    |
| RPG208LTZ00 | 1 1/4"          | 32   | 410           | 0                             | 16      | 2 → 1          | 4                           | 8      |            |                  |    |
| RPG209LTK00 | 1 1/2"          | 40   | 700           | 0                             | 16      | 2 → 1          | 5                           | 8      |            |                  |    |
| RPG210LTJ00 | 2"              | 50   | 950           | 0                             | 16      | 2 → 1          | 7                           | 8      |            |                  |    |
| BPG205STW00 | 1/2"            | 15   | 87            | 0                             | 16      | 1 → 2 / 2 → 1  | 5.5 / 3.8                   | 10     | 63         | NC bidirectional |    |
| BPG206STX00 | 3/4"            | 20   | 164           | 0                             | 16      | 1 → 2 / 2 → 1  | 6 / 3.8                     | 10     |            |                  |    |
| BPG207STY00 | 1"              | 25   | 260           | 0                             | 16 / 11 | 1 → 2 / 2 → 1  | 6.5 / 3.8                   | 10     |            |                  |    |
| BPG208STZ00 | 1 1/4"          | 32   | 410           | 0                             | 16 / 6  | 1 → 2 / 2 → 1  | 6.8 / 3.8                   | 10     |            |                  |    |
| BPG209STK00 | 1 1/2"          | 40   | 700           | 0                             | 12 / 4  | 1 → 2 / 2 → 1  | 9 / 3.8                     | 10     |            |                  |    |
| BPG210STJ00 | 2"              | 50   | 950           | 0                             | 8 / 2.5 | 1 → 2 / 2 → 1  | 9 / 3.8                     | 10     |            |                  |    |
| BPG207LTY00 | 1"              | 25   | 260           | 0                             | 16 / 14 | 1 → 2 / 2 → 1  | 4 / 3.3                     | 8      | 90         |                  |    |
| BPG208LTZ00 | 1 1/4"          | 32   | 410           | 0                             | 16 / 12 | 1 → 2 / 2 → 1  | 5 / 3.3                     | 8      |            |                  |    |
| BPG209LTK00 | 1 1/2"          | 40   | 700           | 0                             | 16 / 8  | 1 → 2 / 2 → 1  | 6 / 3.3                     | 8      |            |                  |    |
| BPG210LTJ00 | 2"              | 50   | 950           | 0                             | 14 / 6  | 1 → 2 / 2 → 1  | 8 / 3.3                     | 8      |            |                  |    |
| DPG205STW00 | 1/2"            | 15   | 87            | 0                             | 16      | 1 ↔ 2          | 1.8                         | 2      | 63         |                  | DA |
| DPG206STX00 | 3/4"            | 20   | 164           | 0                             | 16      | 1 ↔ 2          | 2                           | 3.8    |            |                  |    |
| DPG207STY00 | 1"              | 25   | 260           | 0                             | 16      | 1 ↔ 2          | 3                           | 5      |            |                  |    |
| DPG208STZ00 | 1 1/4"          | 32   | 410           | 0                             | 16      | 1 ↔ 2          | 4.5                         | 6      |            |                  |    |
| DPG209STK00 | 1 1/2"          | 40   | 700           | 0                             | 16      | 1 ↔ 2          | 6.5                         | 7      |            |                  |    |
| DPG210STJ00 | 2"              | 50   | 950           | 0                             | 12      | 1 ↔ 2          | 9                           | 10     |            |                  |    |

### Notes

1. Steam max. working pressure 10 bar (9 barg)
2. Please contact M&M sales Department for other pilot media
3. Minimum pilot pressure at the max. working pressure: for lower working pressures please refer to the comparative charts