

AE719 Limit Switch Box

(For Rotary Pneumatic Actuator and Valve)



Features

- Compact powder coated aluminium die-cast housing - weather proof to IP67
- Bolt on adjustable visual position indicator
- Quick-set cam for easy setting
- Dual cable entries and captive cover bolts design
- Namur mounting interface standard
- Include stainless steel mounting bracket

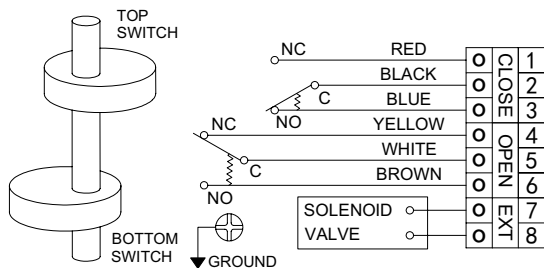
Specifications

Enclosure	IP 67 (with proper installation)
Ambient Temperature	-20°C to +80°C
Electrical Connection	2 x NPT 1/2"
Terminal Block	8 points
Switch Type	2 x Mechanical Switches
Switch Rating	250VAC: 16A / 10A (res / ind) 250VDC: 0.3A, 125VDC: 0.6A, 30VDC: 10A
Indicator	0° / 90° Close Red / Open Yellow
Bracket Dimension	Adjustable Frame For 30 x 80 x H20 30 x 130 x H30 / H50

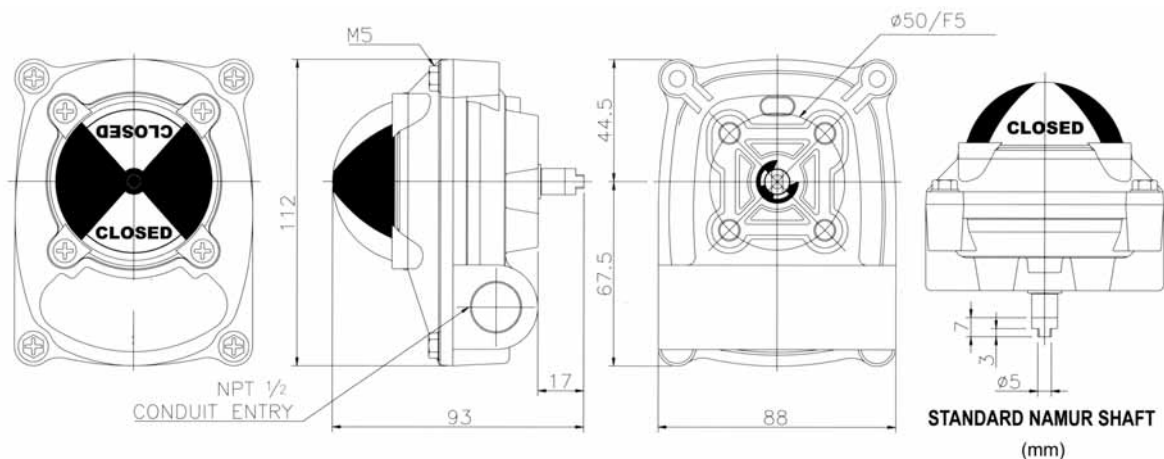
Parts and Materials

Parts Name	Qty	Material
Housing and Housing-Cover	1	Powder Coated Die Cast Aluminum Alloy
Shaft	1	Stainless Steel
Indicator Cover	1	PC
Indicator	1	ABS
Micro Switch	2	Mechanical
Terminal Block	8	Plastic
Cam	2	ABS
Spring	1	Stainless Steel
Housing Fasteners	4	Stainless Steel
Shaft O Ring	1	NBR
Cover O Ring	1	NBR
Indicator Cover O Ring	1	NBR
Bushing	1	Copper
Grounding	1	Stainless Steel
Circlip	1	Carbon Steel
Mounting Bracket	1	Stainless Steel

Limit Switch Box with 2 x SPDT Wiring Diagram



Dimensions (mm)



The specifications given in this document represent the state of engineering at the time of publishing. We reserve the right to make modifications to the specification and materials