

# AE BYV334 Butterfly Valve (Through Shaft withOUT Pin Lug Type)



## Design

AE BYV334 Series butterfly valve has a through shaft without pin design meant for more demanding and higher frequency operation.

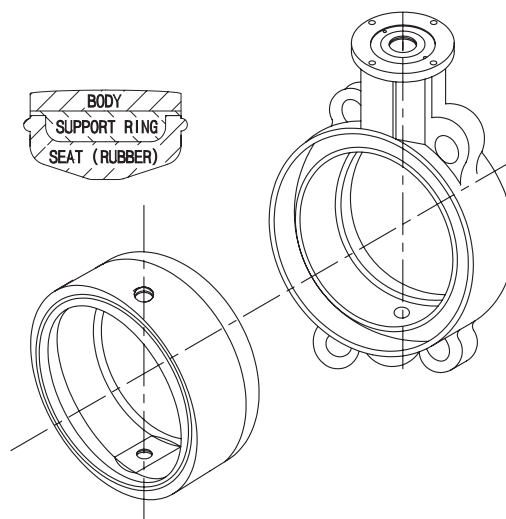
It has a wafer pattern with full threaded lug body and can be used for shut off as well as throttling application. With its resilient cartridge type seat design, it is able to provide shut off pressure of up to 16 bar. The unique cartridge seat design also offers easy seat replacement on site without the need of any special tool. The valve can be easily installed between flanges with no gasket required. The valve can be manually operated by lever, gear or retrofitted to pneumatic and electric actuator for automatic process control with its top flange dimension in accordance to ISO5211.

## Specifications

Size	DN50 to DN600
Body Material	Ductile Iron (other material on request)
Disc Material	CF8M DI with Halar coating (250µm) (other material on request)
Stem Material	SS410 (other material on request)
Seat Material	EPDM (other material on request)
Installation	Any direction, between ANSI150# flanges (PN10, PN16, and JIS10K on request)
Medium Pressure	Subject to pressure limitation of mounting flanges used
Medium Temperature	-20°C to +110°C (EPDM)
Operator	Bare Shaft, Aluminium lever or Cast Iron Gear box

## Cartridge Seat Design

Easy disassembly and assembly without damage to seat

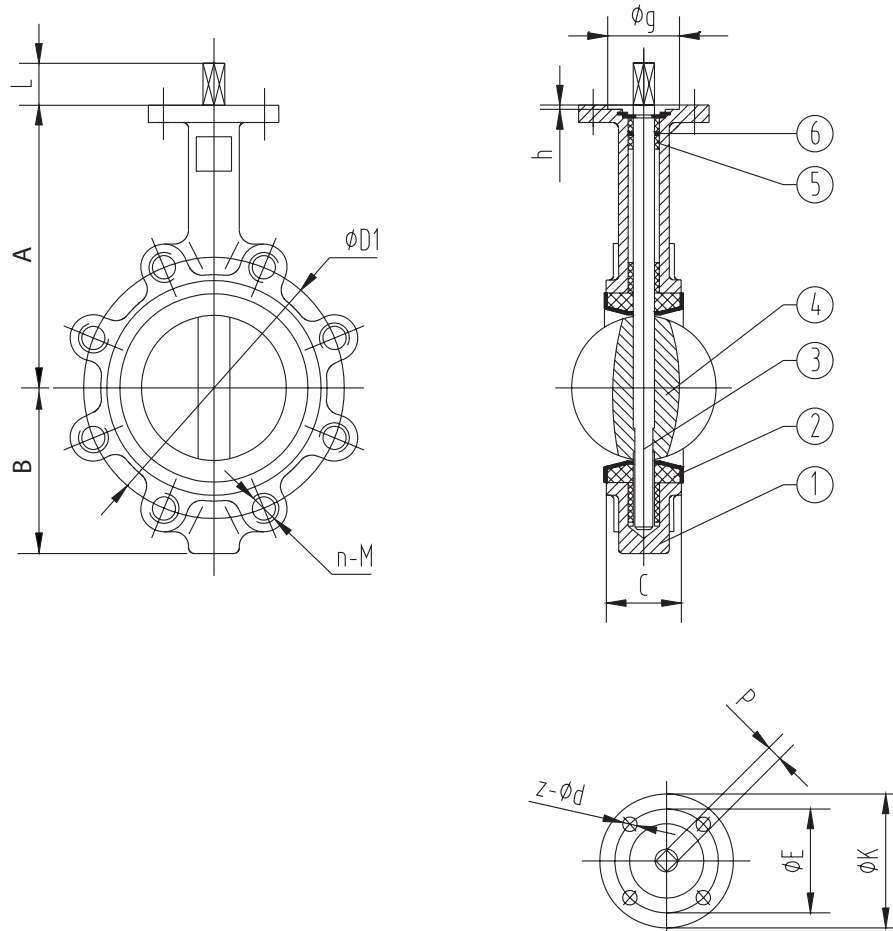


## Kv Value

Size (mm)	Angle of Opening Kv Value (Water) (m³/h)							
	20°	30°	40°	50°	60°	70°	80°	90°
40	2.6	4.3	9.5	16	22	39	60	69
50	6.7	7.8	16	24	48	62	95	116
65	8.6	13	23	38	73	95	145	181
80	13	20	34	56	112	142	216	267
100	23	35	61	99	198	259	401	466
125	50	74	129	211	414	526	845	948
150	83	121	211	345	677	871	1392	1647
200	142	211	354	591	1099	1478	2302	2746
250	220	328	560	974	1810	2328	3664	4224
300	319	466	819	1353	2629	3405	5129	6336
350	388	647	1120	1905	3517	4836	6964	9665
400	552	776	1483	2405	4310	6336	9284	11121
450	630	1078	1978	3190	6078	7914	11983	15086
500	785	1375	2457	3991	7414	9914	15121	19310
600	1078	1974	3448	5250	10776	14224	20336	24397

# AE BYV334 Butterfly Valve (Through Shaft withOUT Pin Lug Type)

Bare Shaft DN50 to DN600



## Standard Materials

No.	Part	Material
1	Body	CI, DI (other material on request)
2	Seat	EPDM, FKM, PTFE (other material on request)
3	Shaft	SS410 (other material on request)
4	Disc	CF8, CF8M, Bronze, DI with Halar Coating (250µm)
5	Bushing	Polymers
6	O Ring	NBR

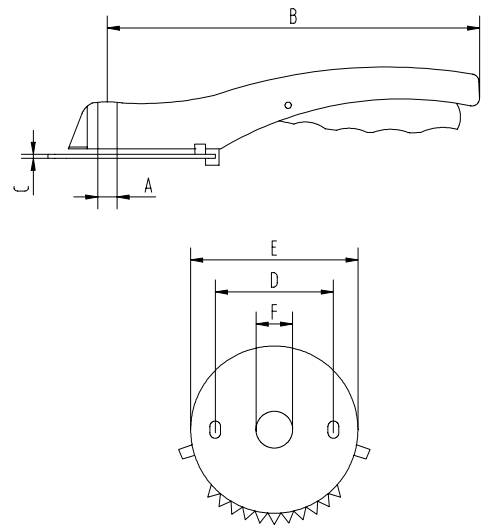
## Dimensions (Bare Shaft)

Size (mm)	ANSI150		DIN PN10/16		A	B	C	L	P	Upper flange				
	D1	n-M	D1	n-M						K	E	z-d	g	h
50	120.5	4-5/8"	125	4-M16	161	80	42	19	9	65	50	4-7	35	3
65	139.5	4-5/8"	145	4-M16	175	89	44.7	19	9	65	50	4-7	35	3
80	152.5	4-5/8"	160	4/8-M16	181	95	45.2	19	9	65	50	4-7	35	3
100	190.5	8-5/8"	180	8-M16	200	114	52.1	19	11	90	70	4-9	55	3
125	216	8-3/4"	210	8-M16	213	127	54.4	19	14	90	70	4-9	55	3
150	241.5	8-3/4"	240	8-M20	226	139	55.8	19	14	90	70	4-9	55	3
200	298.5	8-3/4"	295	8/12-M20	260	175	60.6	24	17	125	102	4-12	70	3.5
250	362	12-7/8"	350/355	12-M20/M24	292	203	65.6	24	22	125	102	4-12	70	3.5
300	432	12-7/8"	400/410	12-M20/M24	337	242	76.9	24	22	125	102	4-12	70	3.5
350	476	12-1"	460/470	16-M20/M24	368	267	79.5	29	22	125	102	4-12	70	3.5
400	540	16-1"	515/525	16-M24/M27	400	309	86.5	29	24	175	140	4-18	100	4
450	578	16-11/8"	565/585	20-M24/M27	422	328	105.6	38	27	175	140	4-18	100	4
500	635	20-11/8"	620/650	20-M24/M30	480	361	131.8	38	32	175	140	4-18	100	4
600	750	20-11/4"	725/770	20-M27/M33	561	459	152	48	36	210	165	4-23	130	5

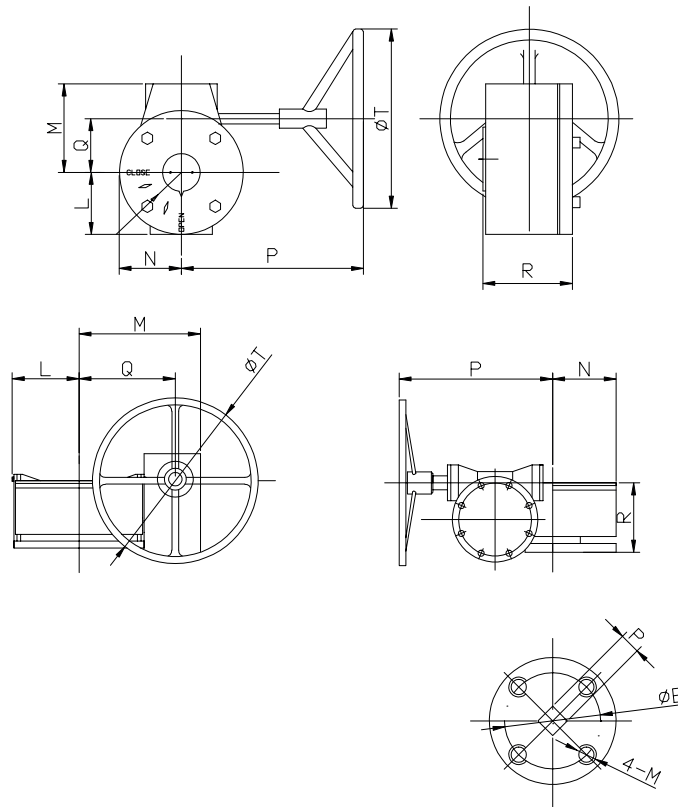
# AE BYV334 Butterfly Valve (Through Shaft withOUT Pin Lug Type)

## Lever Operator

Valve Size	A	B	C	D	E	F	Weight (kg)
DN40 - 80	9 x 9	170	2.5	50	72	20	0.4
DN100	11 x 11	215	2.5	70	92	21	0.5
DN125 - 150	14 x 14	215	2.5	70	92	21	0.5
DN200	17 x 17	350	2.5	102	127	35	0.6
DN250 - 300	22 x 22	350	2.5	102	127	35	0.6



## Gear Operator



Valve Size	L	Q	M	N	P	R	T	P	E	M	Weight (kg)
DN40 - 150	51	45	70	51	150	67	146	9 / 11 / 14	50 / 70	M6 / M8	4.0
DN200 - 250	72	66	98	66	207	84	285	17 / 22	102	M10	8.0
DN300 - 350	80	77	107	76	195	84	285	22	102	M10	10.3
DN400 - 500	111	174	217	96	243	164	290	22 / 27 / 32	140	M16	30.0
DN600	133	198	250	132	296	188	375	36	165	M20	50.0